

Angle-seat valves with external pilot control and a self-aligning valve disc. Suitable for neutral or aggressive gaseous or liquid media that are compatible with the materials used.

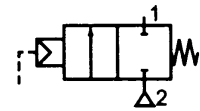
Angle-seat valve with pneumatically operated piston actuator, single-acting (normally closed).
Fluid entry under the piston.

Any mounting position.

- Very high flow due to angled seat design
- Water hammer prevented by fluid entry under the disc
- Suitable for vacuum operation (low vacuum)
- Max. viscosity 600 cSt
- Maintenance-free pilot head
- The fixed direction of flow means that no pressure surges occur when the valve is operated
- Self-aligning sealing plate guarantees tight closing

Medium temperature	-10 °C to 180 °C
Ambient temperature	-20 °C to 70 °C
Differential pressure	0 - 16 bar
Permissible static pressure max.	16 bar
Pilot fluid temperature max.	60 °C
Housing	Stainless steel AISI 316
Sealant	PTFE
Stem	Stainless steel
Operator	Polyamide (glass fibre-reinforced)
Connectors	Stainless steel
Control air port	G 1/8
Piston	Nickel-plated brass
Pilot pressure min.	4 bar
Pilot pressure max.	10 bar

NC



Angle-seat valve with piston actuator, NC function

Art. No.	Type No.	Thread	DN	Max. operating pressure difference bar	Kv m ³ /h
133206	3363.01	G 1/2	15	16	5.7
133207	3363.02	G 3/4	20	10	10.5
133208	3363.03	G 3/4	20	16	10.8
133209	3363.04	G 1	25	11	20

Accessoire for angle-seat valves with piston actuator

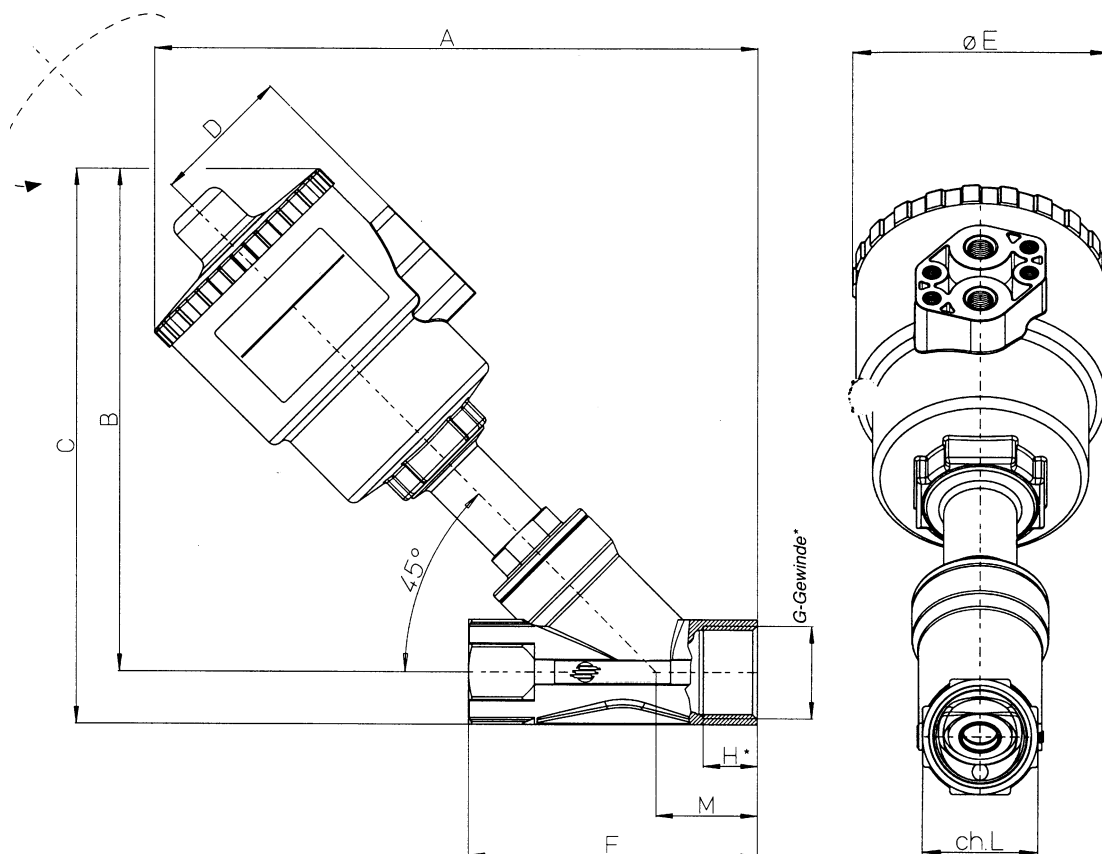
Art. No.	Type No.	Description
131434	NAP	NAMUR adapter plate for angle-seat valves G 1/2 - G 2



3363.04



NAP



Angle-seat valve with piston actuator, NC function

Art. No.	Type No.	Thread	Actuator Ø	A mm	C mm	F mm	B mm	D mm	ØE mm	H mm	a/f mm
133206	3363.01	G 1/2	50	190.0	169.0	85.0	156.0	44.0	70.0	15.0	25
133207	3363.02	G 3/4	50	195.0	176.0	95.0	160.0	44.0	70.0	16.3	31
133208	3363.03	G 3/4	63	213.0	195.0	95.0	178.0	50.5	84.4	16.3	31
133209	3363.04	G 1	63	219.0	202.0	105.0	182.0	50.5	84.4	19.5	38